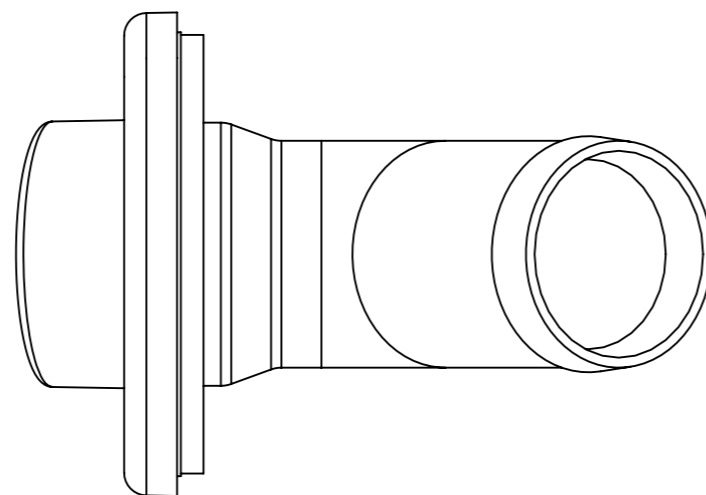


A-A (1 : 1)

Maximum hull thickness: 19mm
 Drill size: Ø35mm
 PCD: Ø48mm, countersunk Ø4.2mm



Date	Revision	Initials
Description: Angled exhaust connection Ø30		Dwg.no.: AC-050-25530
Material:		Weight:
Scale: 1:1	Proj.:	Date:
Drawn: D.C.	Checked:	Size: A3L Dim. in: mm
Product group: Propulsion	Sheet: 1	of: 1



Craftsman
MARINE