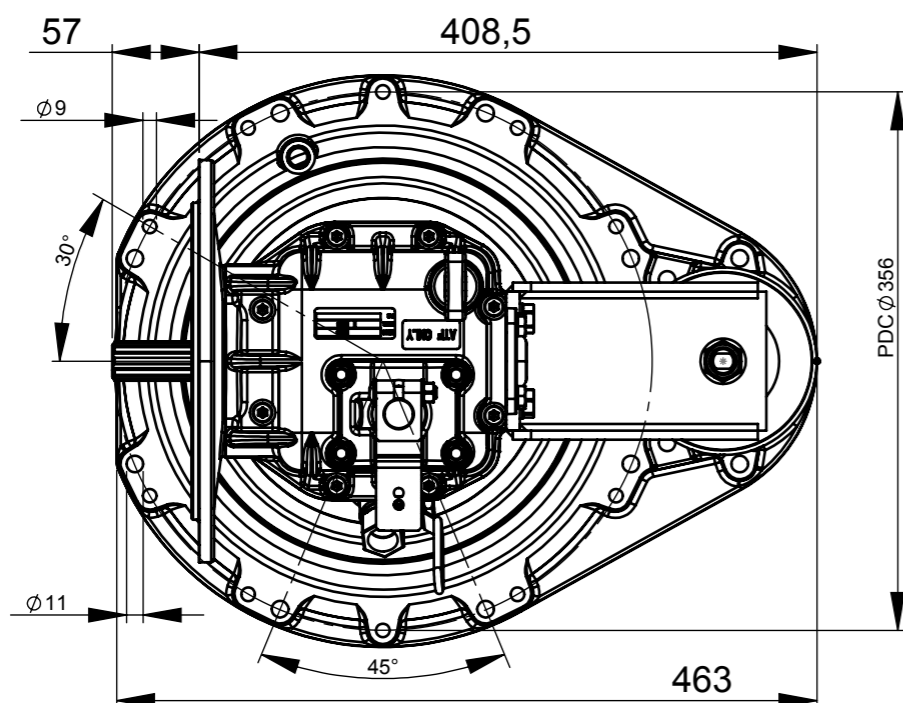
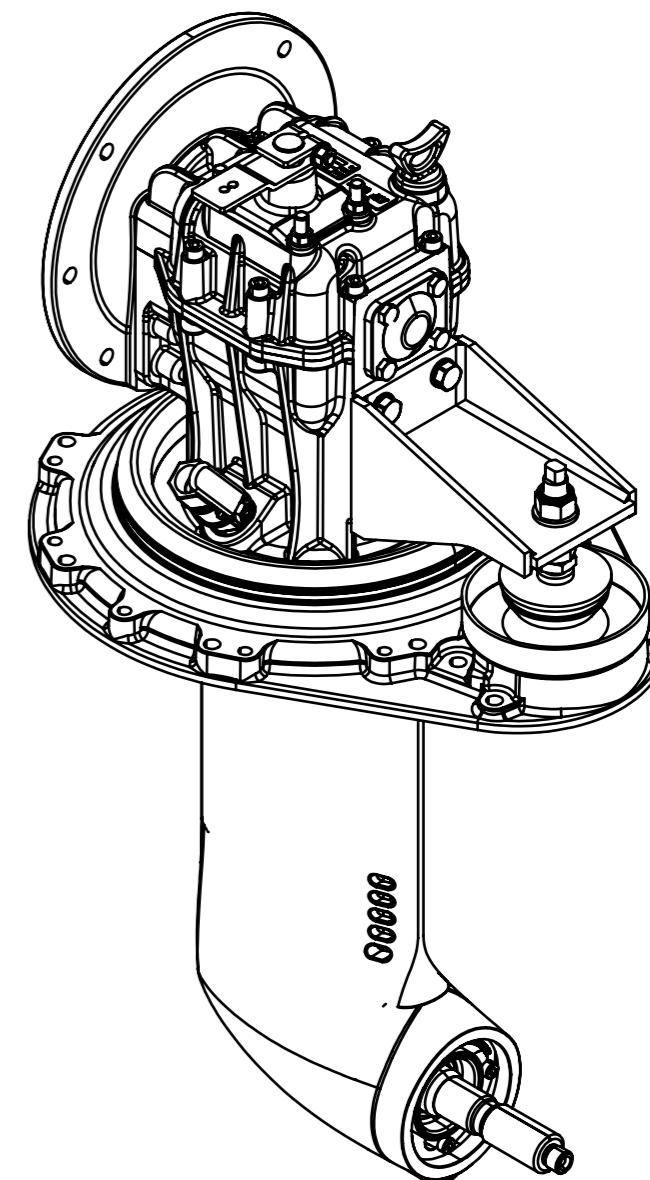
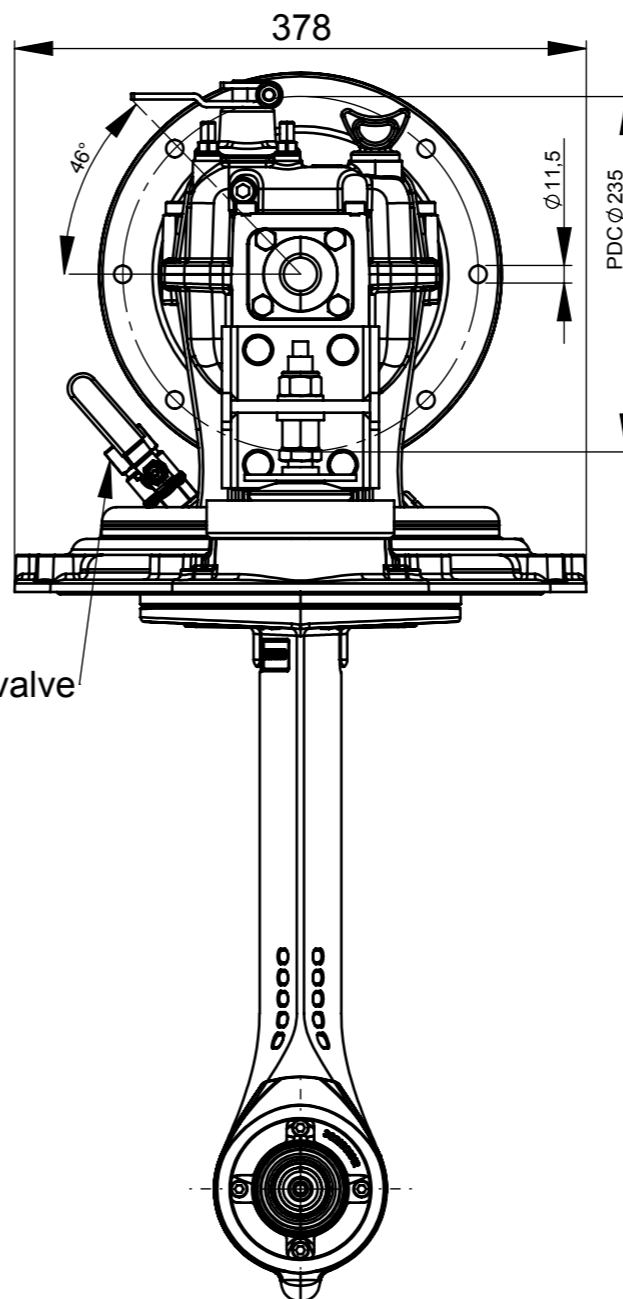


intake ball valve



Date	Revision	Initials
Description		Dwg.no.
Saildrive without foundation		AJ-010-21022
Material:	Weight:	
Scale: 1:5	Proj.:	Date: 30-03-2010
Drawn: D.C.	Checked:	Size: A3L Dim. in: mm
Product group: Propulsion	Sheet: 1	of: 1



**Craftsman**  
MARINE

Vissersdijk beneden 70, 3319GW Dordrecht, The Netherlands. Tel: +31 (0)88 0062600, Fax: +31 (0)88 0062601 - info@craftsmanmarine.com - www.craftsmanmarine.com  
This drawing is the property of Craftsman Marine B.V., Dordrecht. Copyright reserved acc. law. It is not to be copied (in whole or in part) or otherwise disclosed without the written consent of Craftsman Marine B.V.