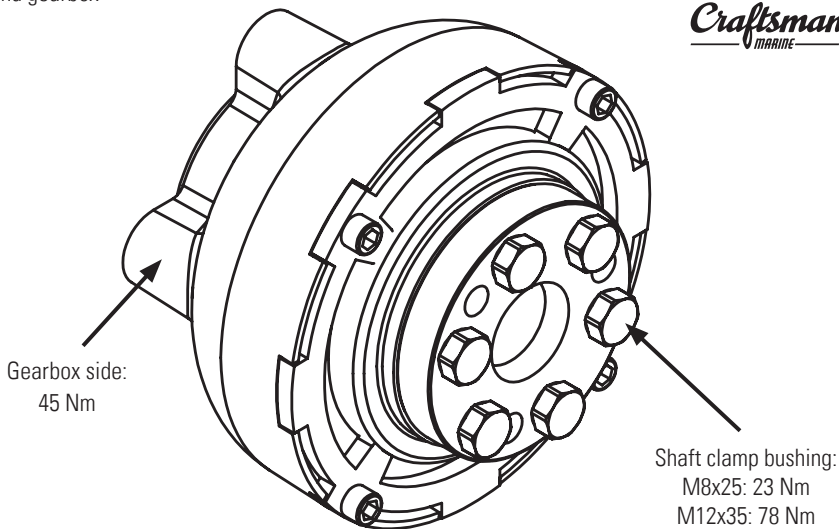


ATTENTION! IMPORTANT:

Use correct tightening torque
on bolts of shaft clamp bushing
and gearbox



Craftsman
MARINE



FLEXIBLE COUPLING

INSTALLATION/INSTRUCTIONS

AI.010 - 20025

AI.010 - 20030

AI.010 - 20035

