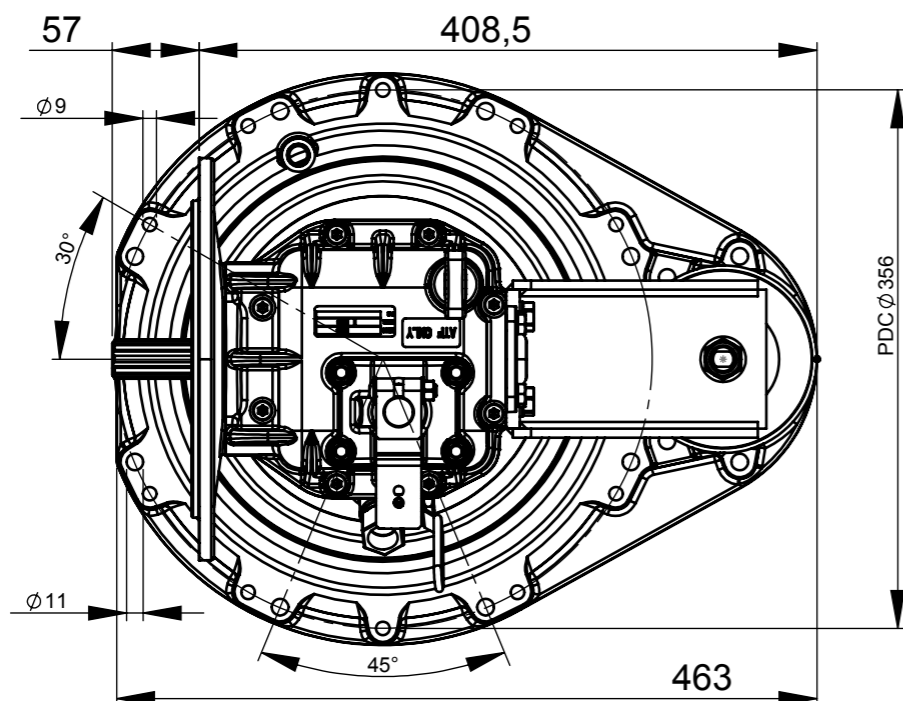
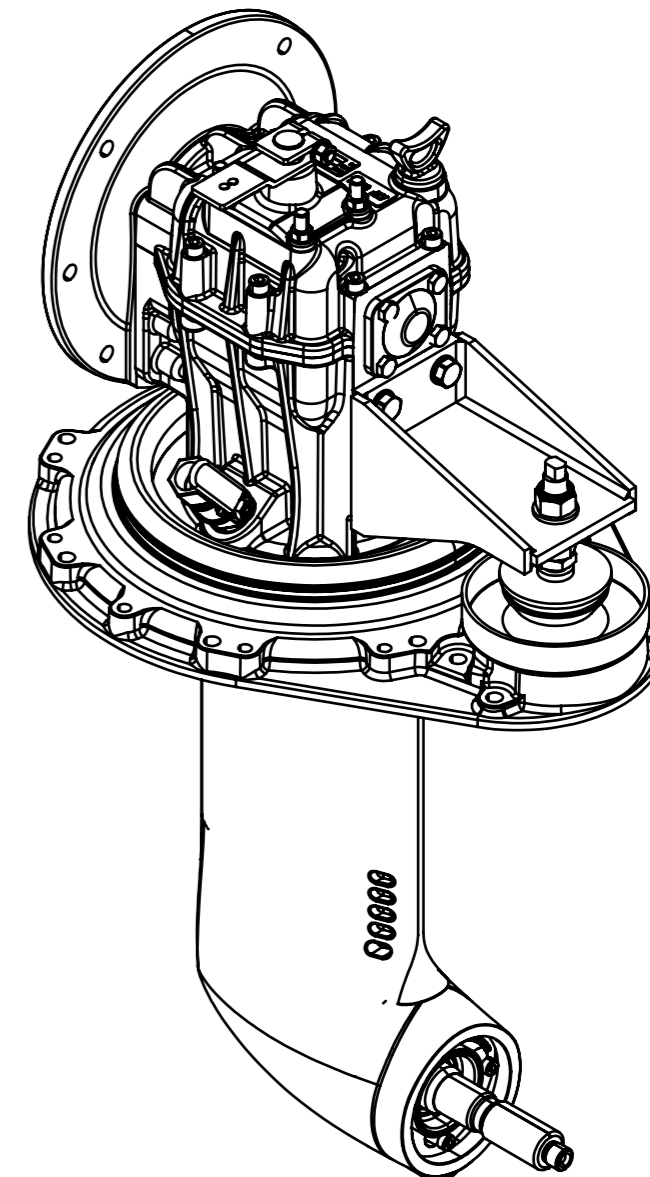
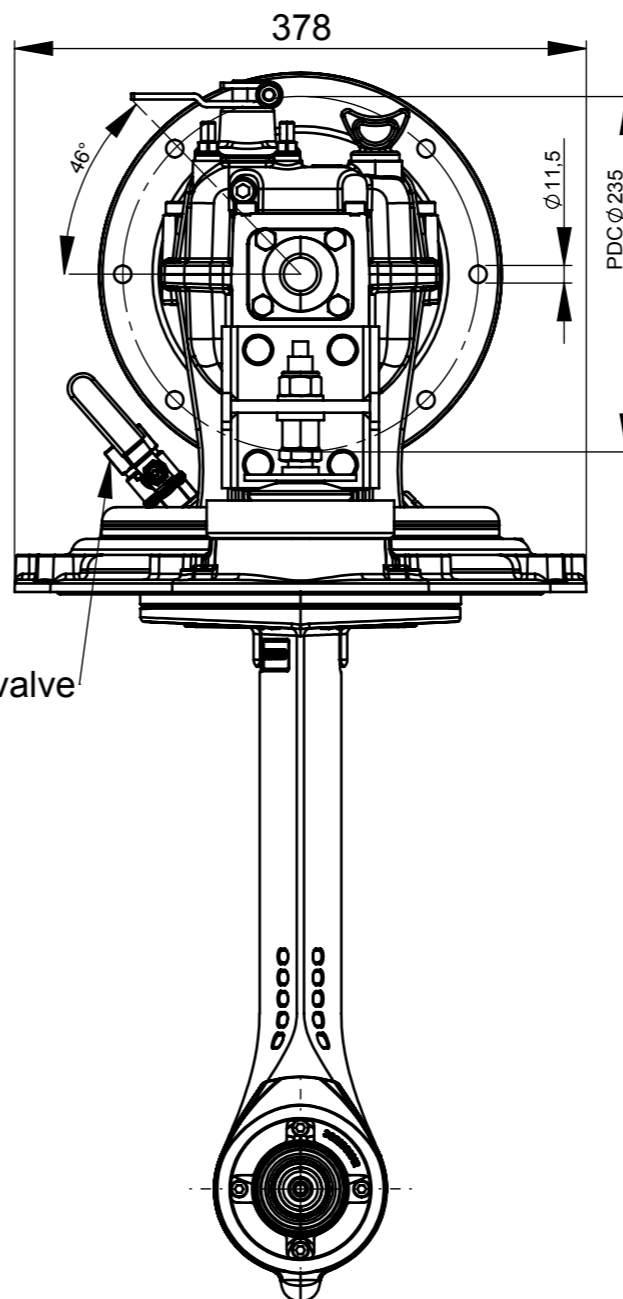


intake ball valve



Date	Revision	Initials
Description Saildrive without foundation		Dwg.no. AJ-010-21022
Material:	Weight:	
Scale: 1:5	Proj.:	Date: 30-03-2010
Drawn: D.C.	Checked:	Size: A3L Dim. in: mm
Product group: Propulsion	Sheet: 1	of: 1



Craftsman
MARINE

Vissersdijk beneden 70, 3319GW Dordrecht, The Netherlands. Tel: +31 (0)88 0062600, Fax: +31 (0)88 0062601 - info@craftsmanmarine.com - www.craftsmanmarine.com
This drawing is the property of Craftsman Marine B.V., Dordrecht. Copyright reserved acc. law. It is not to be copied (in whole or in part) or otherwise disclosed without the written consent of Craftsman Marine B.V.