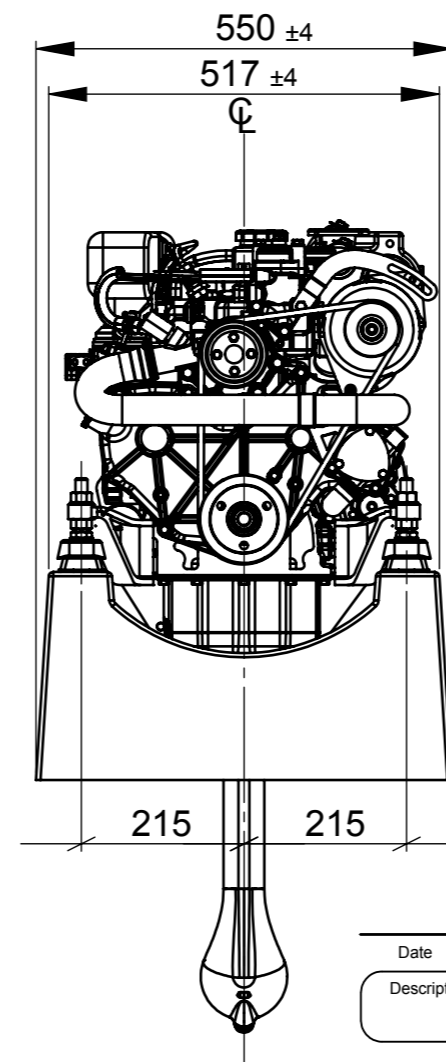
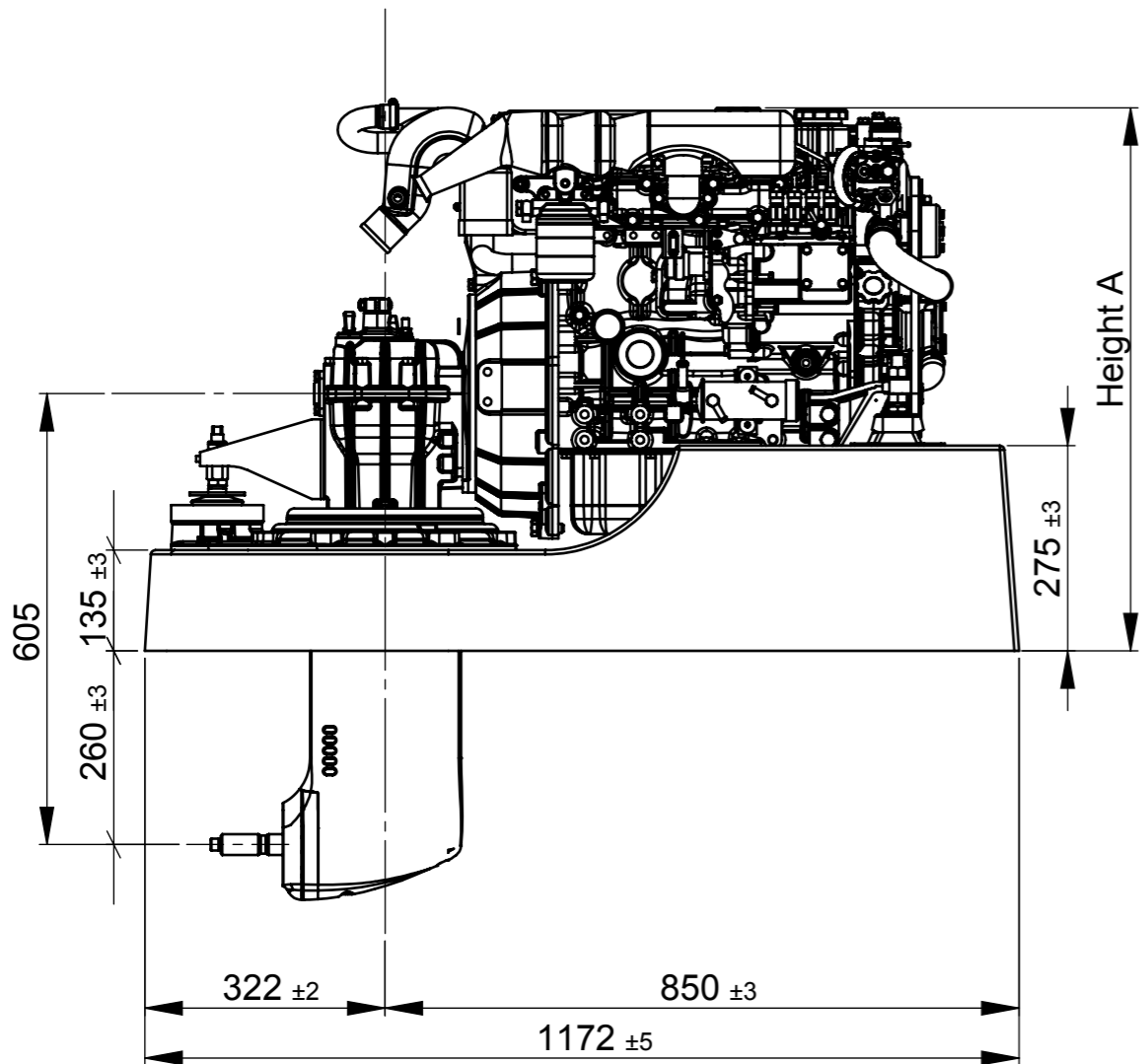
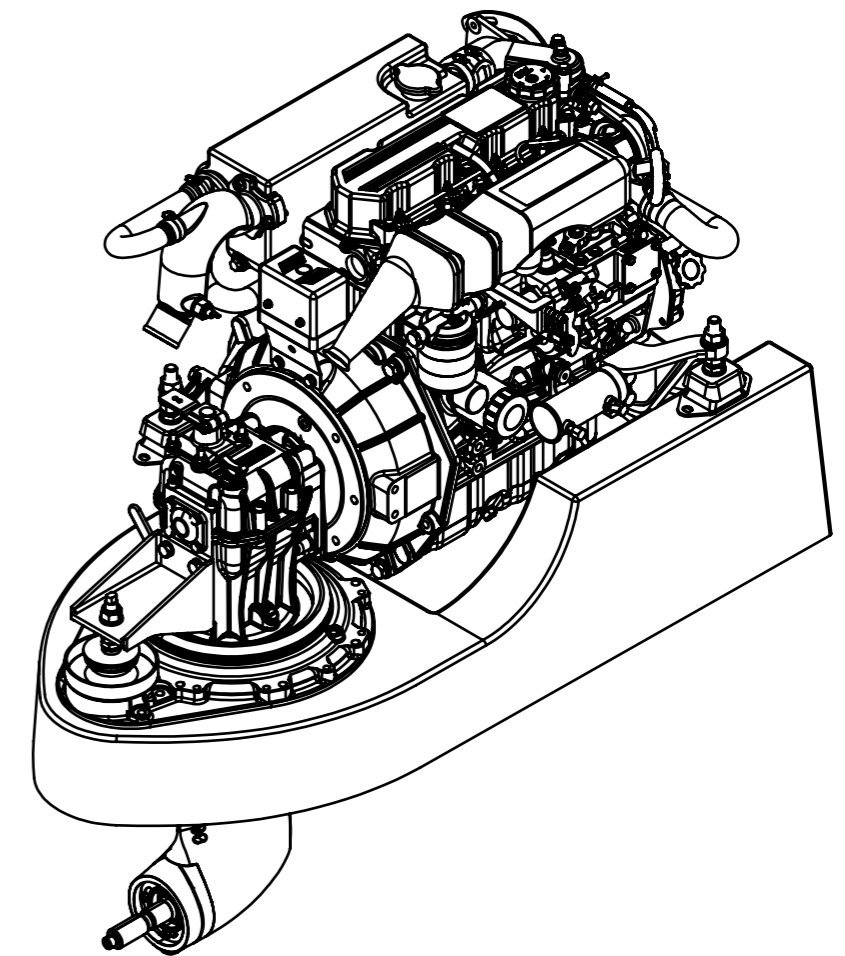


Height A

2 cilinder	3 cilinder	4 cilinder
687	687	728



The foundation is made by hand lay-up technique (polyester), always check dimensions before installing.

Date	Revision	Initials
Description Saildrive with engine and foundation		Dwg.no. Saildrive + foundation
Material:		Weight:
Scale: 1:10	Proj.:	Date: 6-6-2011
Drawn: JMZ	Checked:	Size: A3L Dim. in: mm
Product group: Propulsion	Sheet: 1	of: 1



Craftsman
MARINE