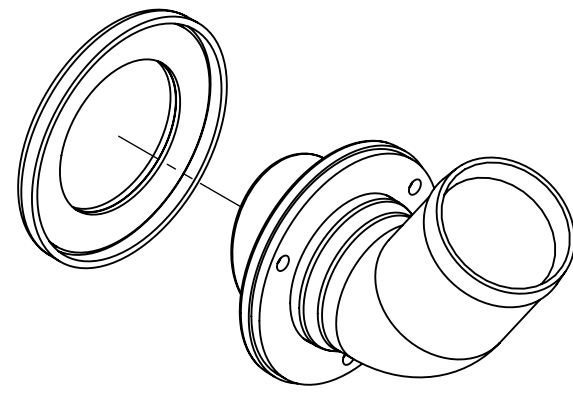
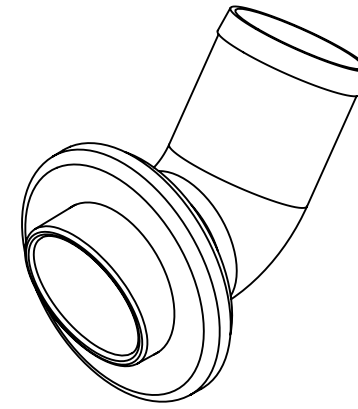


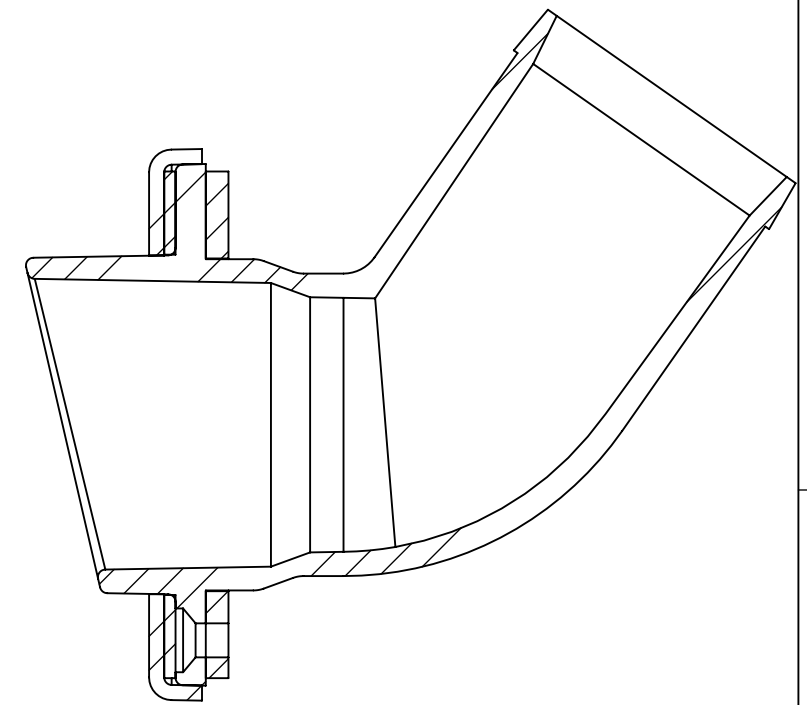
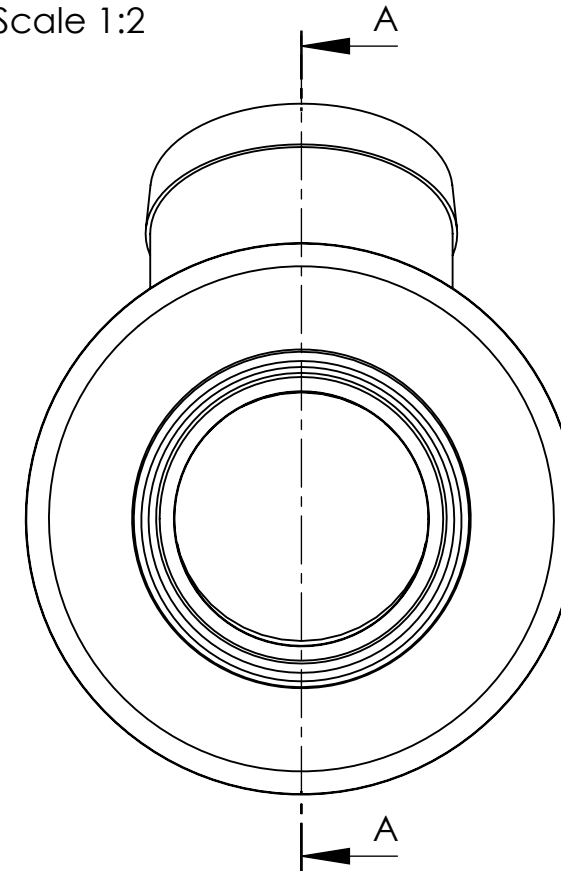
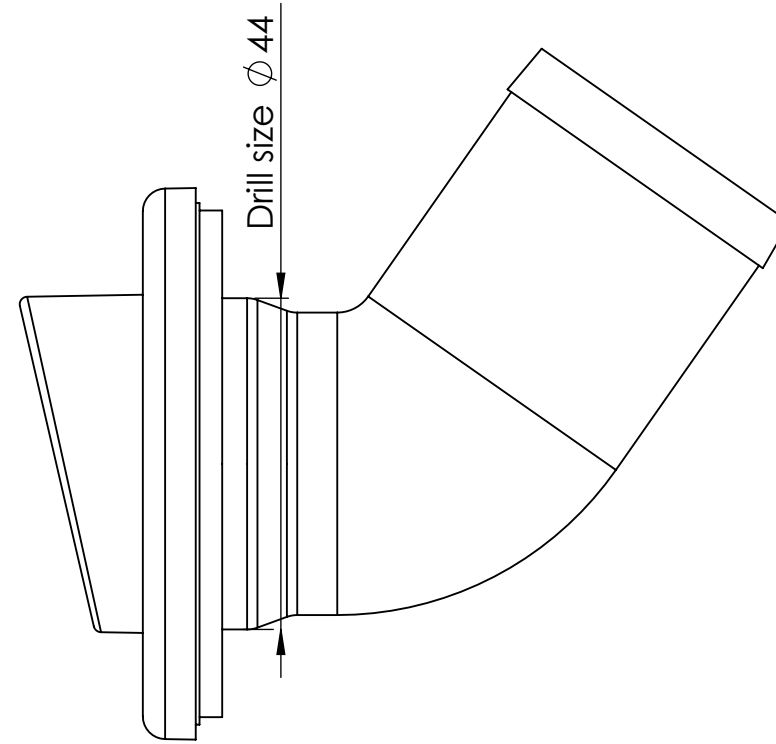
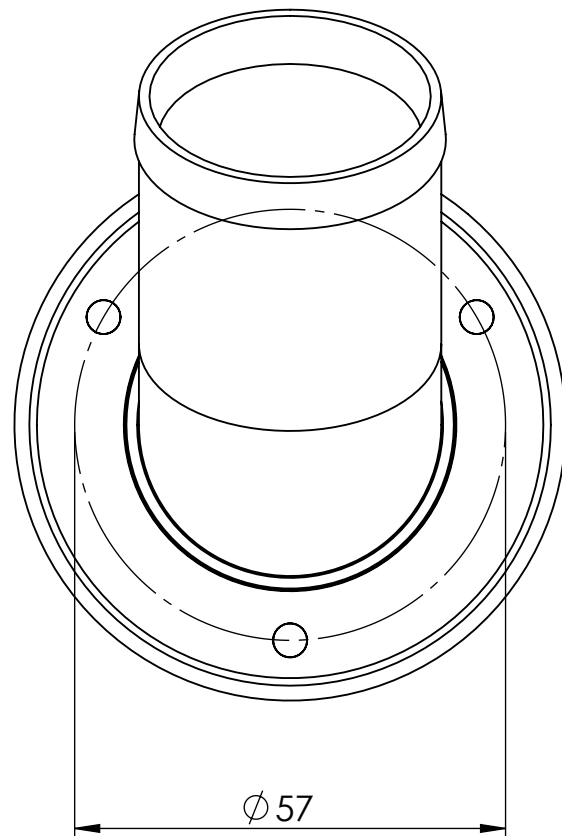
Scale 1:2



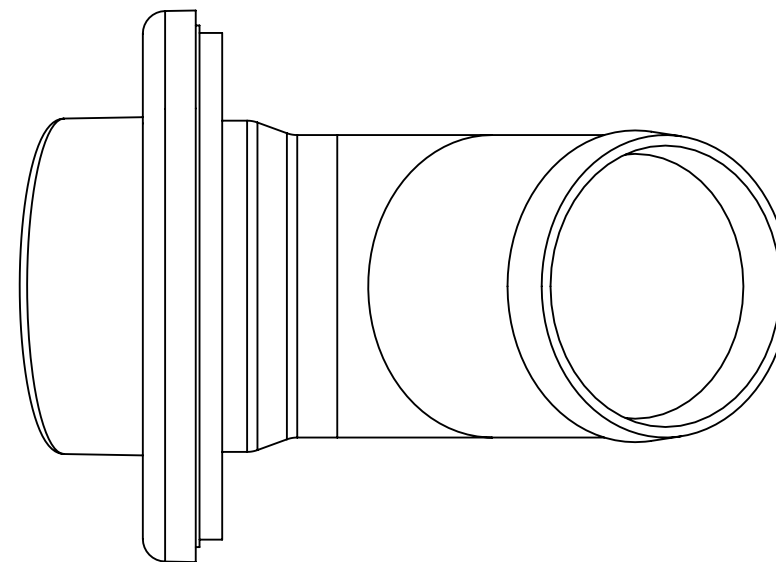
Scale 1:2



Scale 1:2



A-A (1:1)



Maximum hull thickness: 17mm  
 Drill size: Ø44mm  
 PCD: Ø57mm, countersunk Ø4.2mm

Date	Revision	Initials	
Description		Dwg.no.	
Angled exhaust connection Ø40		AC-050-25540	
Material:		Weight:	
Scale: 1:1	Proj.:	Date:	
Drawn: D.C.	Checked:	Size: A3L	Dim. in: mm
Product group: Propulsion		Sheet: 1	of: 1



**Craftsman**  
MARINE