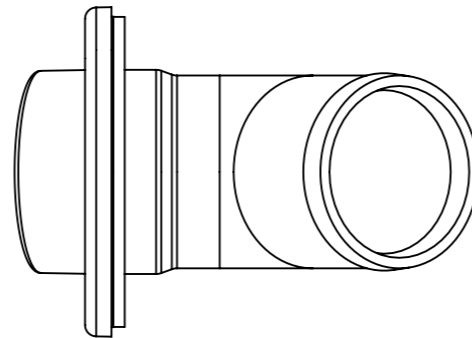


A-A



Maximum hull thickness: 13mm
 Drill size: $\varnothing 54$ mm
 PCD: $\varnothing 70$ mm, countersunk $\varnothing 4.2$ mm

Date	Revision	Initials
------	----------	----------

Description	Angled exhaust connections $\varnothing 50$	Dwg.no.	AC-050-25550
-------------	---	---------	--------------



Material:	Weight:
-----------	---------

Scale: 1:2	Proj.:	Date:
------------	--------	-------

Drawn: D.C.	Checked:	Size: A3L	Dim. in: mm
-------------	----------	-----------	-------------

Product group: Propulsion	Sheet: 1	of: 1
---------------------------	----------	-------

Craftsman
MARINE