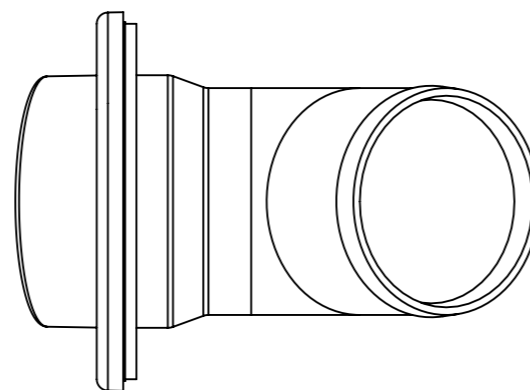


A-A



Maximum hull thickness: 26mm
 Drill size: Ø67mm
 PCD: Ø84mm, countersunk Ø4.2mm

Date	Revision	Initials
Description: Angled exhaust connection Ø60		Dwg.no.: AC-050-25560
Material:		Weight:
Scale: 1:2	Proj.:	Date:
Drawn: D.C.	Checked:	Size: A3L Dim. in: mm
Product group: Propulsion		Sheet: 1 of: 1



Craftsman
MARINE

Visserdijk beneden 70, 3319GVV Dordrecht, The Netherlands. Tel: +31 (0)88 0062600, Fax: +31 (0)88 0062601 - info@craftsmanmarine.com - www.craftsmanmarine.com
 This drawing is the property of Craftsman Marine B.V., Dordrecht. Copyright reserved acc. law. It is not to be copied (in whole or in part) or otherwise disclosed without the written consent of Craftsman Marine B.V.