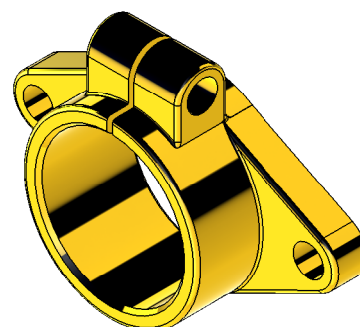
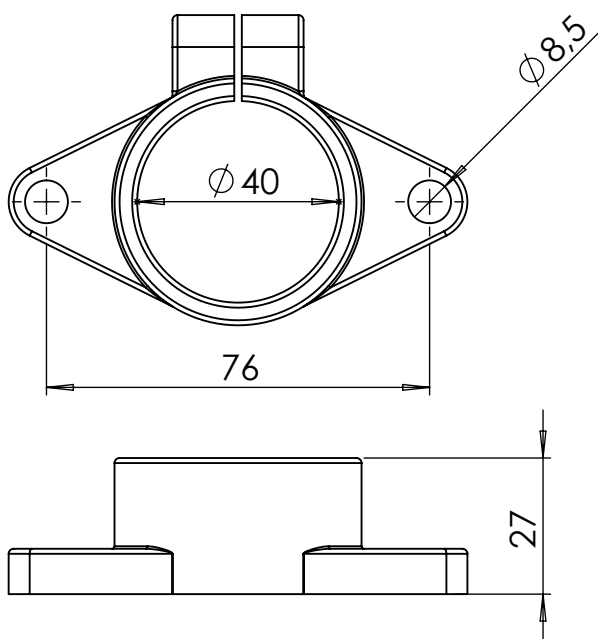


AD-040-00125



AD-040-00225

Date	Revision	Initials
------	----------	----------

Description Inner and outer flanges 40mm propeller tubes	Dwg.no. Inner and outer flange 25mm
--	---



Material:	Weight:
-----------	---------

Scale:	Proj.:	Date: 8/12/2011
--------	--------	------------------------

Drawn: JMZ	Checked:	Size: A4P	Dim. in: mm
-------------------	----------	------------------	--------------------

Product group: PROPULSION	Sheet: 1 of: 1
----------------------------------	------------------------------



Keerweer 33, 3316KA Dordrecht, The Netherlands. Tel: +31 (0)88 0062600, Fax: +31 (0)88 0062601 - info@craftsmanmarine.com - www.craftsmanmarine.com

This drawing is the property of Craftsman Marine B.V., Dordrecht. Copyright reserved acc. law. It is not to be copied (in whole or in part) or otherwise disclosed without the written consent of Craftsman Marine B.V.