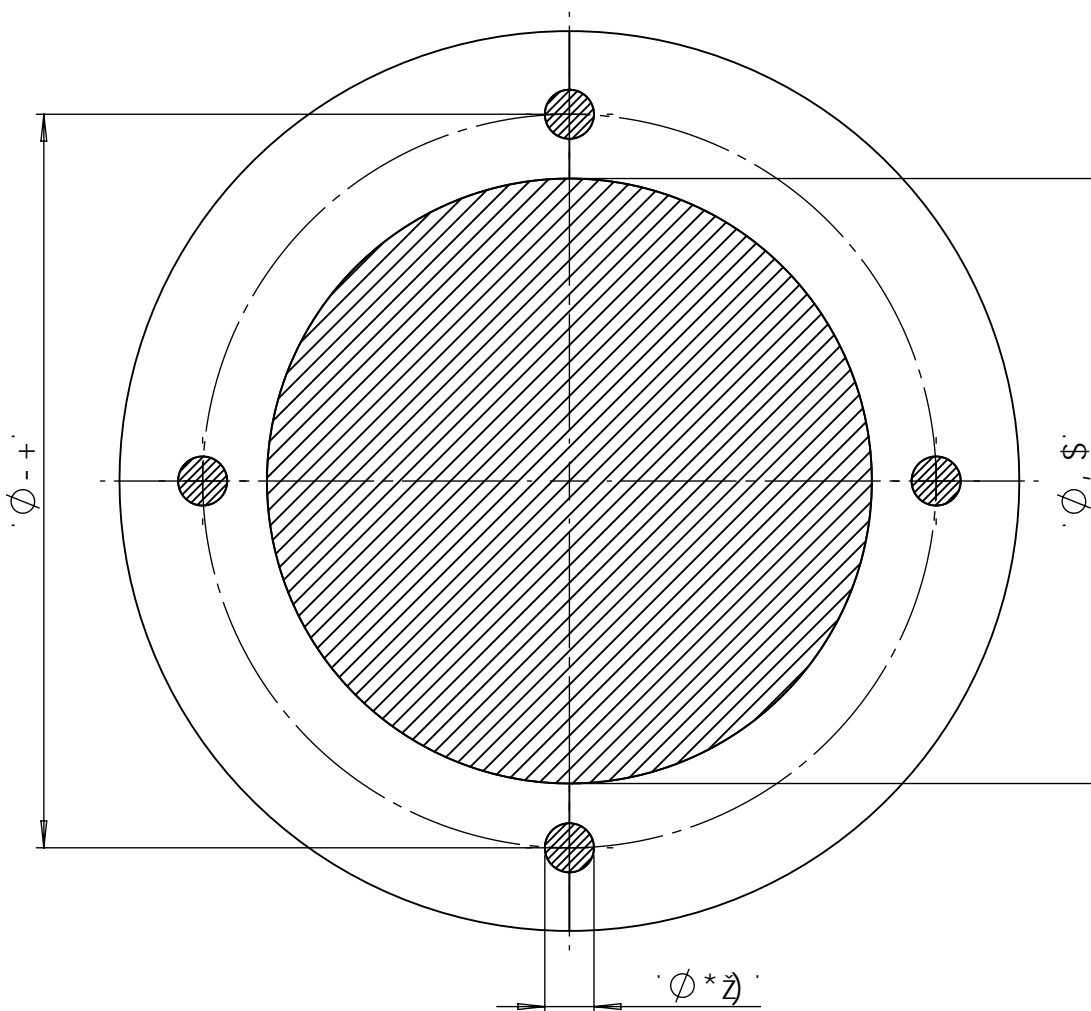




Craftsman
MARINE

7 e\ _cTggXea 6 E 64 ~
` XV[Ta VT_XaZ \aX`eX` bgX



7B ~ABG~HF8~F64? A: ~ J ; 8A ~CE A GA:

7 eTj \aZ~fVT_X~\$-\$