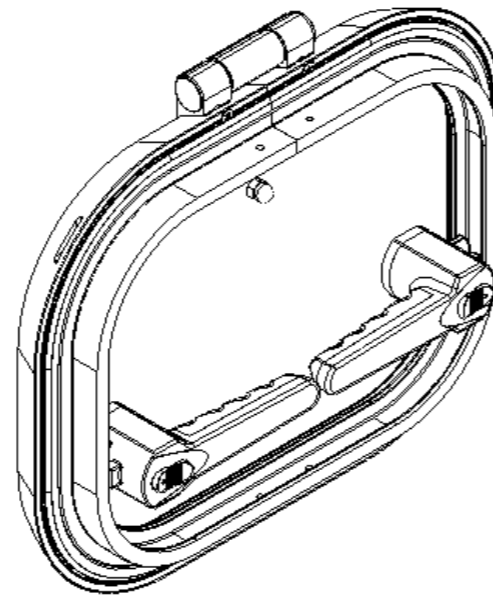
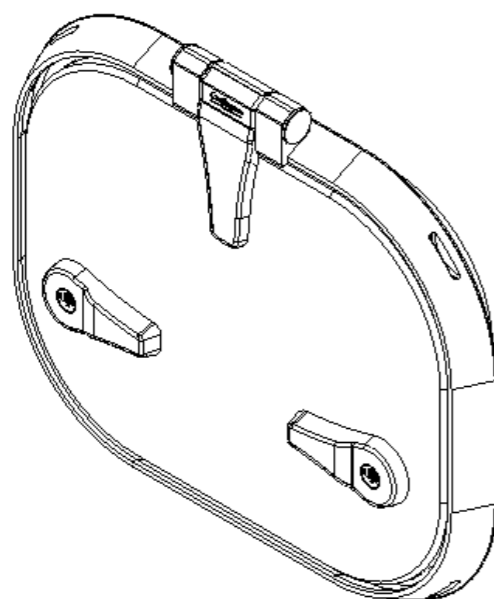


Dimension including Mosquito Screen



Note : Dimension Tolerances ±2mm

Date	Revision	Description	Initials
		Description Assembly Deck Frame-300x230	Dwg.no. FB.020.20010



Material:	Heat Treatment:	Weight: gms/Unit
Scale: N.T.S	Proj.:	Date: 07-08-09
Drawn:Shankar.R	Checked:	Size: A3L Dim. in: mm
Product group: Craftsman Marine	Sheet: 1	of: 1

Surface Finish					
Ra Value μm	0.012 / 0.025 / 0.05 / 0.1 / 0.2	0.4 / 0.8	1.6 / 3.2 / 6.3	12.5 / 25	50 / 100
120 to 315:±0.5	315 to 1000:±0.8	1000 to 2000:±1.2			
0 to 6 :±0.1	6 to 30 :±0.2	30 to 120 :±0.3			

General Tolerances where not specified

Craftsman
MARINE

Visersdijk beneden 70, 3319GV Dordrecht, The Netherlands. Tel: +31 (0)88 0062600, Fax: +31 (0)88 0062601 - info@craftsmanmarine.com - www.craftsmanmarine.com
This drawing is the property of Craftsman Marine B.V., Dordrecht. Copyright reserved acc. law. It is not to be copied (in whole or in part) or otherwise disclosed without the written consent of Craftsman Marine B.V.