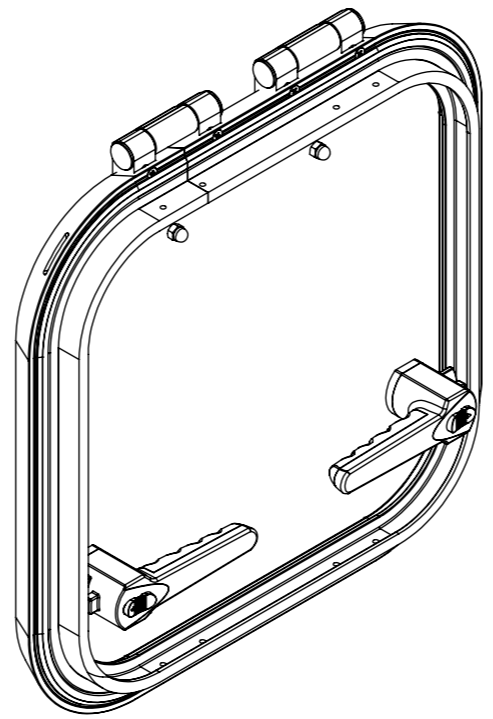
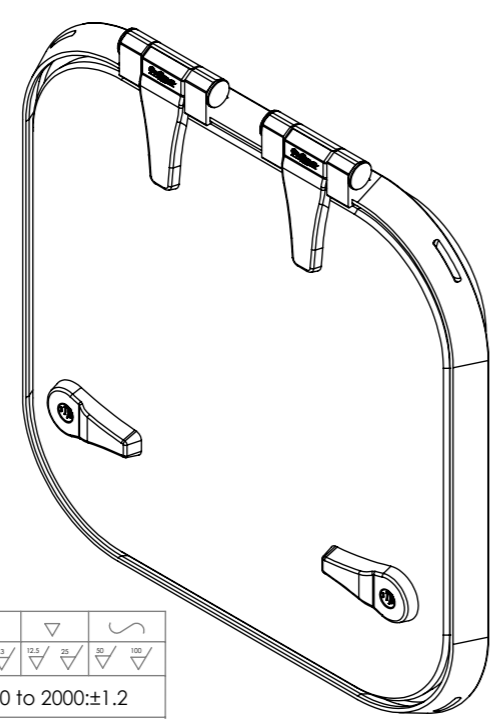


Dimension including Mosquito Screen



Note : Dimension Tolerance ±2mm

Date	Revision	Description	Initials
		<b>Description</b> Assembly Deck Frame -374X374	Dwg.no. FB.020.20030
Material:		Heat Treatment:	<b>Weight:</b> gms/Unit
Scale: N.T.S	Proj.:	Date: 12-08-09	
Drawn:Shankar.R	Checked:	Size: A3L	Dim. in: mm
Product group: Craftsman Marine		Sheet: 1	of: 1



**Craftsman**  
MARINE

Visserdijk beneden 70, 3319GV Dordrecht, The Netherlands. Tel: +31 (0)88 0062600, Fax: +31 (0)88 0062601 - info@craftsmanmarine.com - www.craftsmanmarine.com  
This drawing is the property of Craftsman Marine B.V., Dordrecht. Copyright reserved acc. law. It is not to be copied (in whole or in part) or otherwise disclosed without the written consent of Craftsman Marine B.V.

Surface Finish					
Ra Value µm	0.012 / 0.025 / 0.05 / 0.1 / 0.2	0.4 / 0.8	1.6 / 3.2 / 6.3	12.5 / 25	50 / 100
120 to 315:±0.5	315 to 1000:±0.8		1000 to 2000:±1.2		
0 to 6 :±0.1	6 to 30 :±0.2		30 to 120 :±0.3		
General Tolerances where not specified					