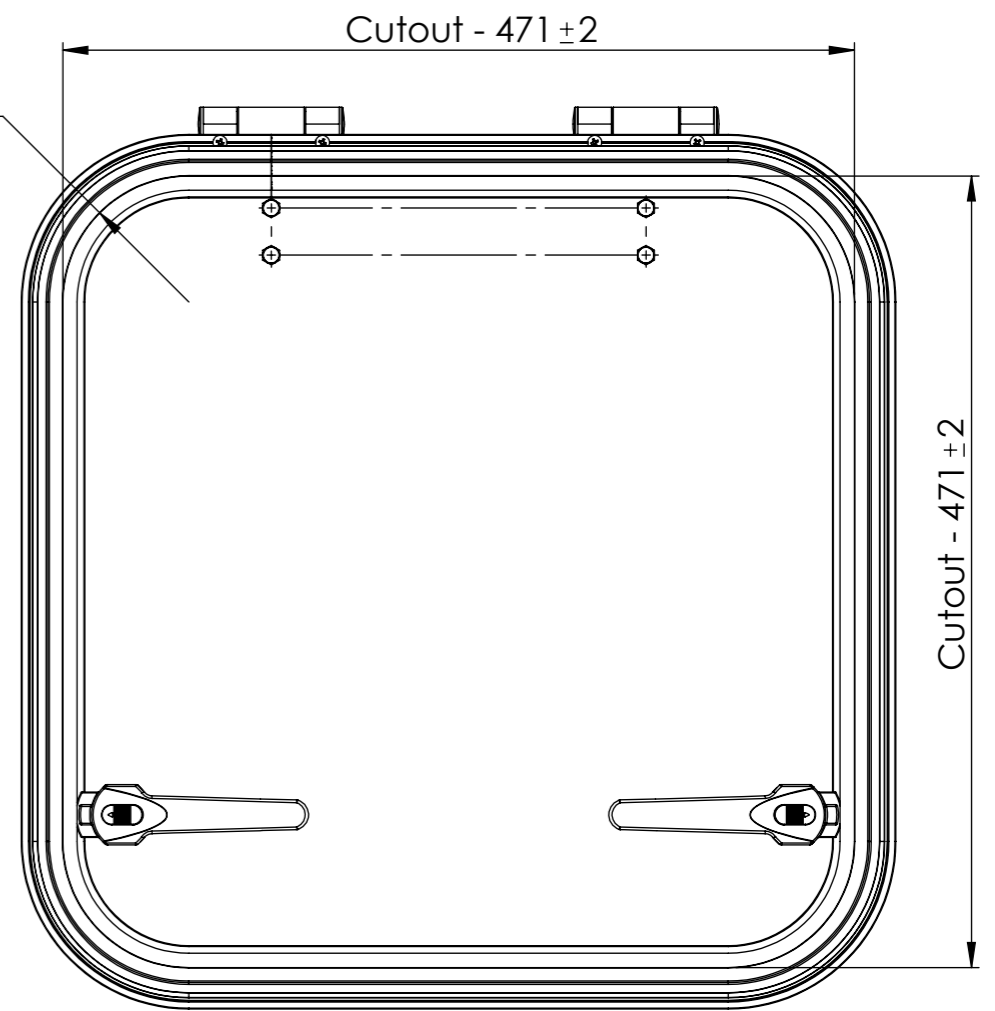
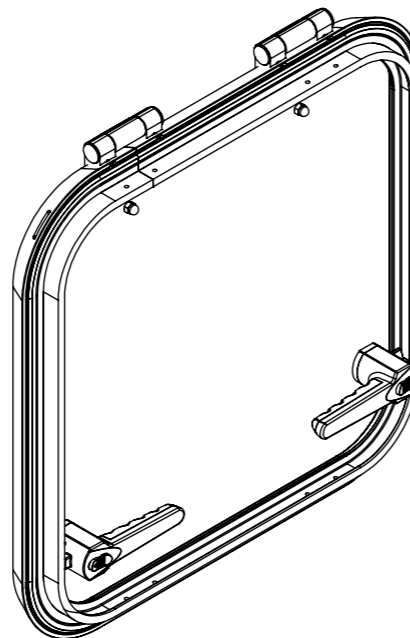
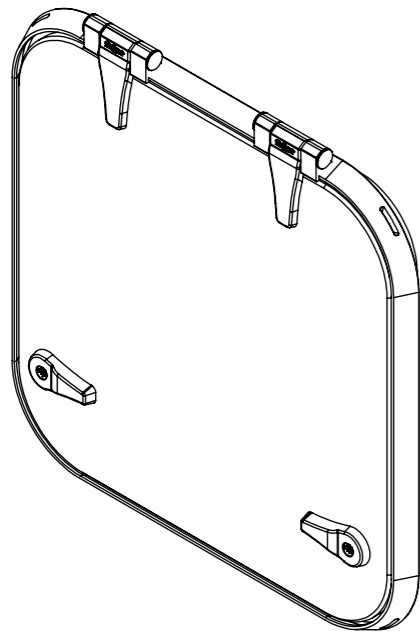


R75±2



Dimension including Mosquito Screen



Note : Dimension Tolerance ±2mm

Date	Revision	Description	Initials
		Description Assembly deck frame -471x471	Dwg.no. FB.020.20060



Material:	Heat Treatment:	Weight: gms/Unit
-----------	-----------------	----------------------------

Scale: N.T.S	Proj.:	Date: 22-08-09
--------------	--------	----------------

Drawn:Shankar.R	Checked:	Size: A3L	Dim. in: mm
-----------------	----------	-----------	-------------

Product group: Craftsman Marine	Sheet: 1	of: 1
---------------------------------	----------	-------

Craftsman
MARINE

Visserdijk beneden 70, 3319GVV Dordrecht, The Netherlands. Tel: +31 (0)88 0062600, Fax: +31 (0)88 0062601 - info@craftsmanmarine.com - www.craftsmanmarine.com
This drawing is the property of Craftsman Marine B.V., Dordrecht. Copyright reserved acc. law. It is not to be copied (in whole or in part) or otherwise disclosed without the written consent of Craftsman Marine B.V.

Surface Finish					
Ra Value µm	0.012 / 0.025 / 0.05 / 0.1 / 0.2	0.4 / 0.8	1.6 / 3.2 / 6.3 / 12.5 / 25	50 / 100	
120 to 315:±0.5	315 to 1000:±0.8		1000 to 2000:±1.2		
0 to 6 :±0.1	6 to 30 :±0.2		30 to 120 :±0.3		
General Tolerances where not specified					