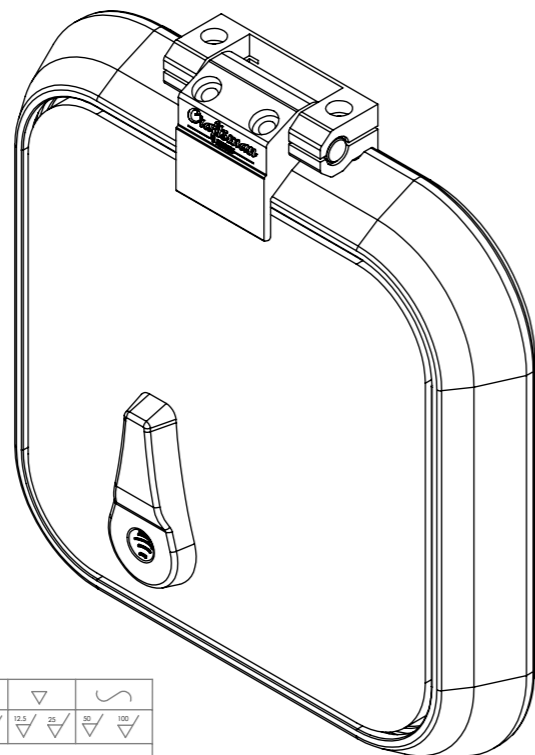
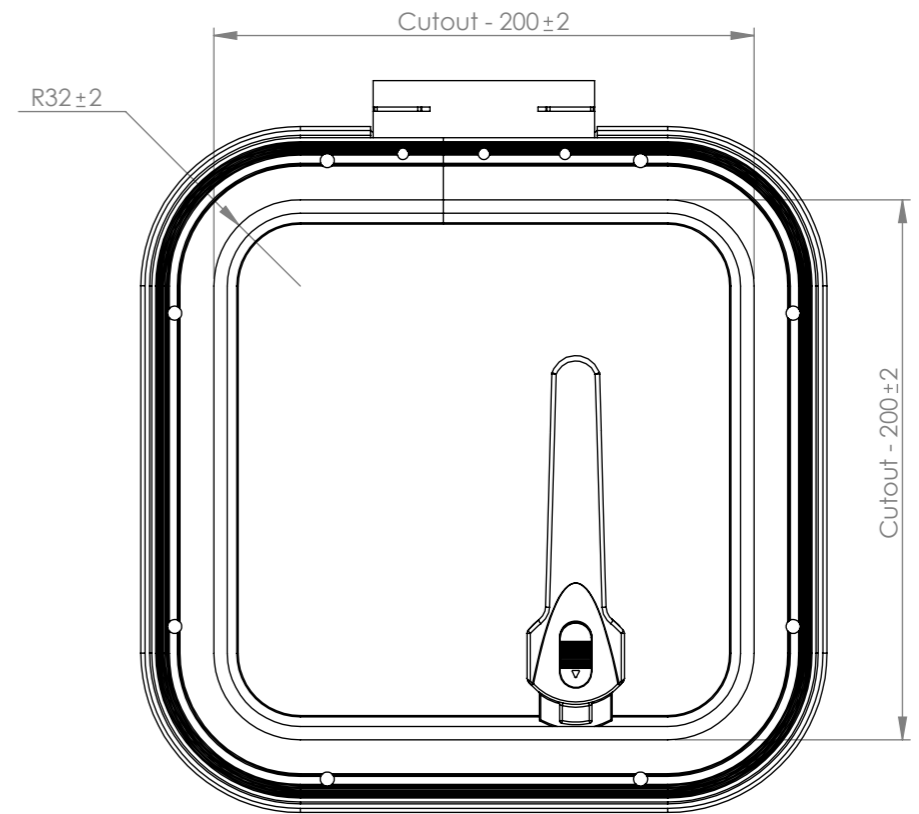


Dimension including Mosquito Screen



Surface Finish	▽▽▽▽	▽▽▽	▽▽	▽	~
Ra Value μm	0.012 / 0.025 / 0.05 / 0.1 / 0.2	0.4 / 0.8	1.6 / 3.2 / 6.3	12.5 / 25 / 50 / 100	
	120 to 315:±0.5	315 to 1000:±0.8	1000 to 2000:±1.2		
	0 to 6 :±0.1	6 to 30 :±0.2	30 to 120 :±0.3		
General Tolerances where not specified					

Date	Revision	Description	Initials
		Assembly Sirius- 200x200 R-32	
Description			Dwg.no. FB.010.20010
Material:		Heat Treatment:	Weight: gms/Unit
Scale: N.T.S	Proj.:	Date: 30/07/09	
Drawn: R.Shankar	Checked:	Size: A3L	Dim. in: mm
Product group: Craftsman Marine		Sheet: 1	of: 1



Craftsman
MARINE

Visersdijk beneden 70, 3319GV Dordrecht, The Netherlands. Tel: +31 (0)88 0062600, Fax: +31 (0)88 0062601 - info@craftsmanmarine.com - www.craftsmanmarine.com
This drawing is the property of Craftsman Marine B.V., Dordrecht. Copyright reserved acc. law. It is not to be copied (in whole or in part) or otherwise disclosed without the written consent of Craftsman Marine B.V.