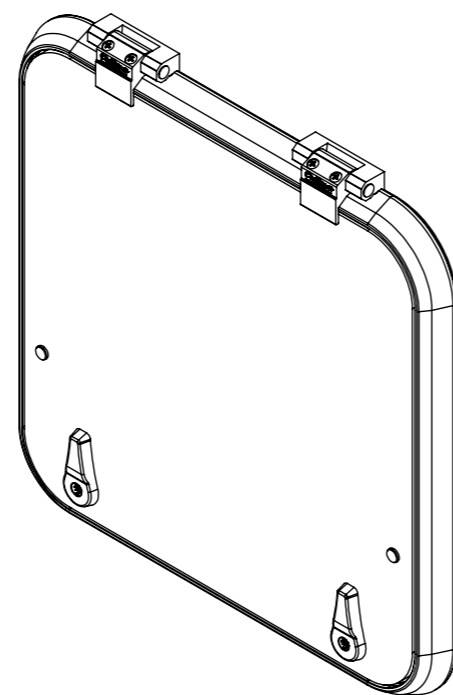


Dimension including Mosquito screen



Note : Dimension Tolerance ±2mm

Surface Finish	▽▽▽▽	▽▽▽	▽▽	▽	~
Ra Value μm	0.012 / 0.025 / 0.05 / 0.1 / 0.2	0.4 / 0.8	1.6 / 3.2 / 6.3	12.5 / 25 / 50 / 100	
120 to 315:±0.5	315 to 1000:±0.8	1000 to 2000:±1.2			
0 to 6 :±0.1	6 to 30 :±0.2	30 to 120 :±0.3			

General Tolerances where not specified

Date	Revision	Description	Initials
		<b>Assembly Sirius 500x500 R-55</b>	
Description			Dwg.no.
			FB.010.20065
Material:	Heat Treatment:	Weight: gms/Unit	
Scale: N.T.S	Proj.:	Date: 20/08/09	
Drawn: R.Shankar	Checked:	Size: A3L	Dim. in: mm
Product group: Craftsman Marine	Sheet: 1	of: 1	



**Craftsman**  
MARINE